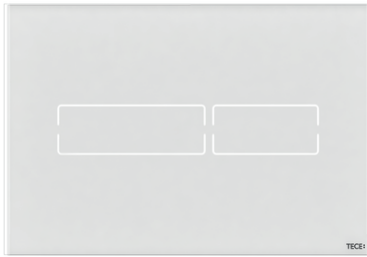


TECE data sheet



TECElux Mini flush plate with electronic touchless actuation

Article number: 9240960

Colour: White glass

Exhibition samples: Yes

DU 1: 1 pc.

Description:

Electronic flush plate with touchless actuation for TECE cistern with front actuation and actuation height of approx. 1 m. Flat glass actuation, including attachment material and actuation motor for dual-flush. Suitable for flush-fitting installation.

Compatible with insert chute for cleaning tablets.

Dimensions: (W x H x D): 220 x 150 x 8 mm

Function of the electronics:

The sensor detects when a person is approaching the toilet, and only illuminates the flush buttons then. The flush is actuated touchlessly or also by pressing the keypad. By programming with the TECElux Mini programming remote control (Order No. 9240971) the electronics can be adjusted to individual requirements.

Programmable functions (with programmable remote control):

- Sensor recognition field
 - Hygiene flush
 - Actuation time
 - Safetyflush
 - Display lighting brightness
-

Sales data:

Shorttext 1: TECElux Mini, glass, white

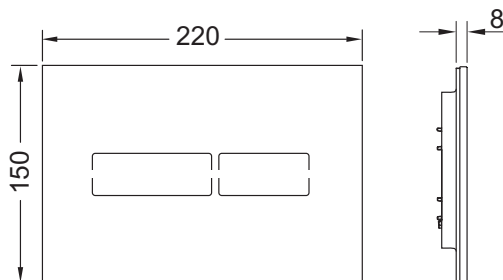
Shorttext 2:

Commodity group: 904

Product group: 2009040250

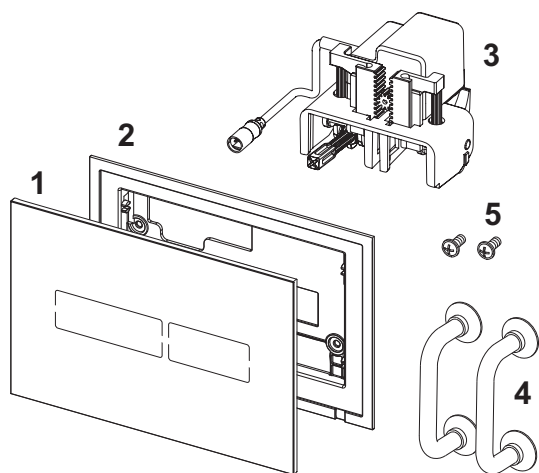
Discount group: 3

Dimensional drawings:



TECE data sheet

Spare parts:



- | | | |
|----------|---------|-------------------------|
| 1 | 9820369 | Cover plate white glass |
| 3 | 9820284 | Actuation motor |
| 4 | 9820180 | Bow-type handles |
| 5 | 9820263 | Fastening screw |